



CONE CRUSHERS

McCloskey mobile cone crushers have been designed to deliver superior performance whilst also achieving higher capacity, better product quality, optimum versatility, and improved fuel efficiency. Standard features are far from standard on McCloskey crushers, including an open chassis design, efficient conveyor design, recirc screen options as well as continuous load and material level monitoring.

Most McCloskey cone crushers come in a recirculating model, allowing operators to produce a high quality crushed and screened final product with one machine.

From the compact and nimble C2C with a full size MC200 cone to the C3 and C4 cones with their high capacity and throughput, McCloskey cone crushers push the boundaries of industry performance across applications.

FEEDER

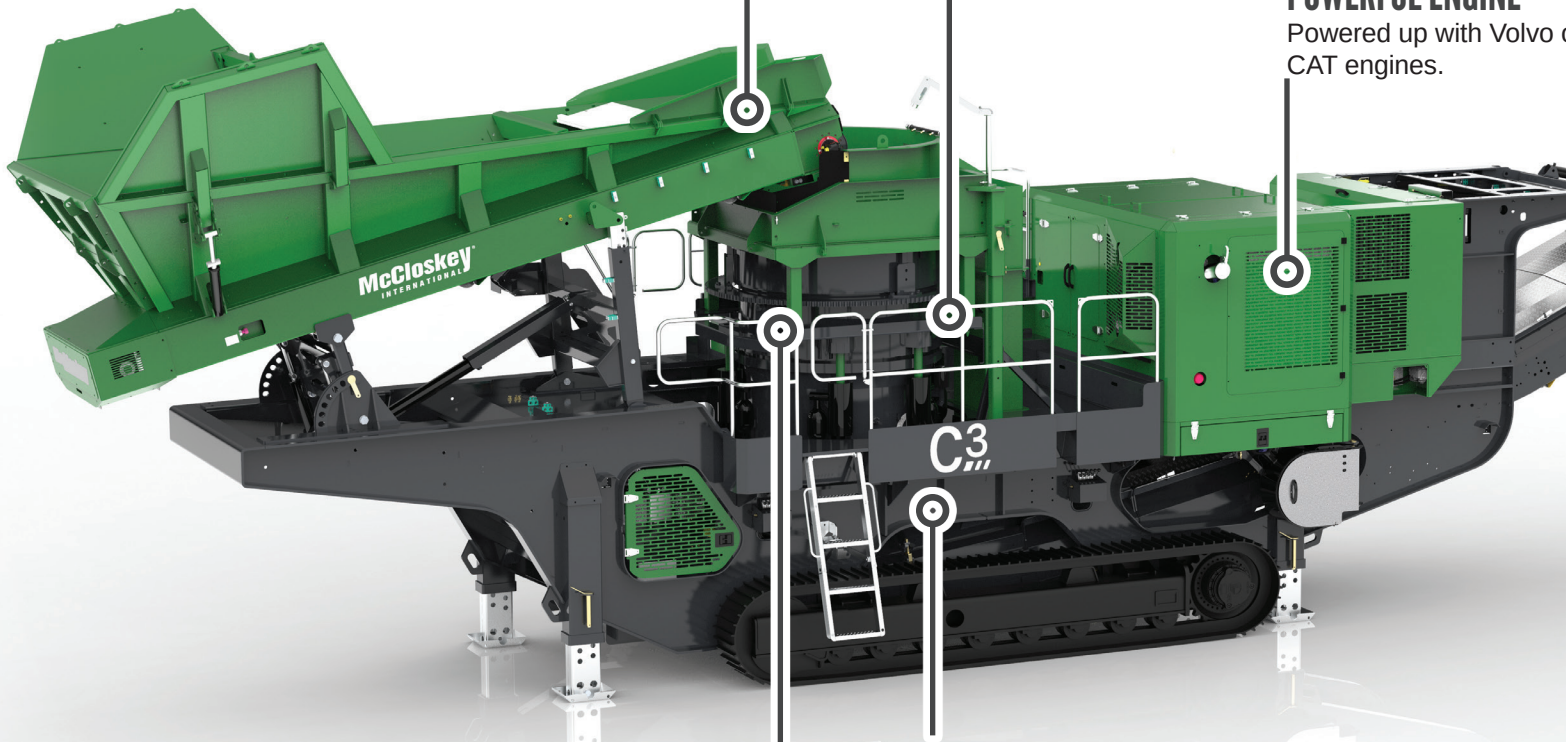
Heavy duty steel hopper with adjustable feed rate via control panel, remote control or fully automatic regulation with feedback from the cone.

LONG STROKE

Excellent productivity through long stroke and high speed in terms of capacity, reduction and end product shape.

POWERFUL ENGINE

Powered up with Volvo or CAT engines.



CRUSHING CHAMBER

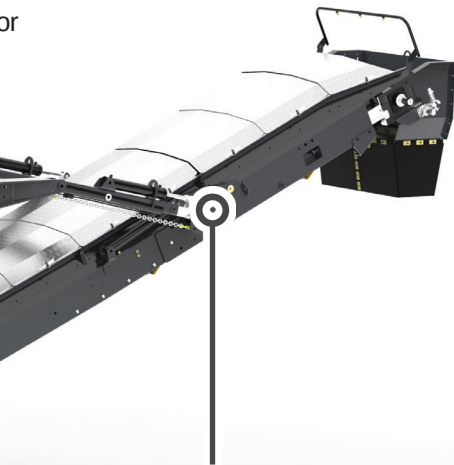
Built to be reliable in the toughest operating conditions, the chamber features a unique design that brings maximum reliability and versatility across materials and applications.

MATERIAL FLOW

Large clearance between crusher discharge and the main conveyor feedboot prevents bottlenecks.

CONE CRUSHERS

FEATURES



MAIN CONVEYOR

Wide main conveyor assures better output. Conveyor features quick release and is angle adjustable.

- Variable speed of crusher provides the ability to obtain the best combination of production and product shape, maximizing efficiency
- Heavy duty main conveyor belt features a spring loaded adjustable belt scraper, self aligning belt rollers, and pressure monitoring sensor to detect overload
- Twin panel over and under metal detector with variable sensitivity
- Choice of wedge and pin side or threaded side tensioned screens available on C2R and C3R models
- Adjustable speed return conveyor can radial a complete 90 degrees when the recirc model is running
- Large high resolution control panel display with full machine monitoring and troubleshooting capabilities
- Simple hydraulic controls ensure ease of operation
- Programmable feeder remote allows for better control, and is equipped with machine stop function in case of emergency.
- Unrestricted feed opening improves feed intake capability and reduces risk of blockage. In fine and extra fine applications it enables end product gradation and capacity adjustment.
- Multi-layer crushing delivers great capacity, better reduction and shape combined with less liner wear.
- Wet clutch with its own hydraulic oil supply drives the crushing chamber as well as auxiliary pumps supplying oil to the other components lowering engine load and fuel consumption.
- Easy access to crusher components for maintenance and monitoring.
- Adjustable level sensor maintains a continuous load in the crushing chamber.

OPTIONS

Hopper Extensions |
Water Pump and Dust
Suppression System
| Various Cone Liner
Options | Work Lights |
Belt Scale

C2C COMPACT CONE CRUSHER

Cone	MC200
Feed Opening	914mm (38")
Minimum Opening	13mm (0.5")
Maximum Opening	185mm (7.28")
Feeder Opening	800mm (32")
Hopper Volume	5m ³ (6.5yd ³) level 6.2m ³ (8.1yd ³) heaped
Main Conveyor Stockpile Height	3314mm (10' – 10")
Engine	280kW (375Hp)

C4 CONE CRUSHER

Cone	MC400
Feed Opening	1130mm (44.5")
Minimum Opening	20mm (0.79")
Maximum Opening	299mm (11.77")
Feeder Opening	910mm (36")
Hopper Volume	5m ³ (6.5yd ³) level 6.2m ³ (8.1yd ³) heaped
Main Conveyor Stockpile Height	3124mm (10' – 3")
Engine	456 kW (612 Hp)

C3 CONE CRUSHER

Cone	MC300
Feed Opening	1050mm (41")
Minimum Opening	13mm (0.5")
Maximum Opening	211mm (7.28")
Feeder Opening	910mm (36")
Hopper Volume	5m ³ (6.5yd ³) level 6.2m ³ (8.1yd ³) heaped
Main Conveyor Stockpile Height	3472mm (11' – 4.7")
Engine	328kW (440Hp) - 380kW (510Hp)

C3R CONE CRUSHER

Cone	MC300
Feed Opening	1050mm (41")
Minimum Opening	13mm (0.5")
Maximum Opening	211mm (7.28")
Feeder Opening	910mm (36")
Hopper Volume	5m ³ (6.5yd ³) level 6.2m ³ (8.1yd ³) heaped
Main Conveyor Stockpile Height	3887mm (12' – 9")
Engine	380kW (510Hp)
Screenbox - Top Deck	4287mm (14') x 1830mm (6')