

KOMATSU

PC170LC-11



Hydraulic excavator

Engine power
90 kW / 121 HP @ 2100 rpm

Operating weight
18300 - 21455 kg

Bucket capacity
max. 0.94 m³

PC170LC-11



Engine power

90 kW / 121 HP @ 2100 rpm

Operating weight

18300 - 21455 kg

Bucket capacity

max. 0.94 m³

Increased productivity and environmental performance

Powerful and environmentally friendly

- EU Stage V engine
- Long-life Komatsu diesel particulate filter (DPF)
- Adjustable idle shutdown
- Komatsu fuel-saving technology
- Engine fan clutch

First-class comfort

- Fully air-suspended operator station
- Low-noise design
- Widescreen monitor

Total versatility

- Komatsu Integrated Attachment Control (KIAC) (option)
- Dozer blades available in 2 blade widths (option)
- Enhanced engine management
- Lower hydraulic pressure loss
- Low ground pressure (LGP) undercarriage (option)

Safety first

- Komatsu SpaceCab™
- KomVision surround view system
- LED lighting standard
- Neutral position detection system
- Safe access, easy maintenance

Quality you can rely on

- Komatsu-quality components
- Extensive dealer support network

Komtrax

- Komatsu Wireless Monitoring System
- 4G mobile communications
- Integrated communication antenna
- Operational data and reports



A maintenance program
for Komatsu customers

PC170LC-11

A wide choice of options

With a choice of arms and undercarriages, you can configure the PC170LC-11 to match specific demands for transport, working envelope or duty. Extra hydraulic arrangements are available for every boom and arm configuration, making sure that the machine always contributes strongly to your business.



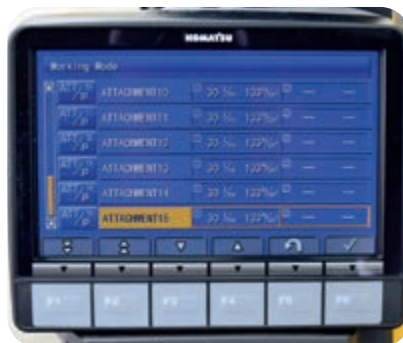
Two-piece boom

6 working modes

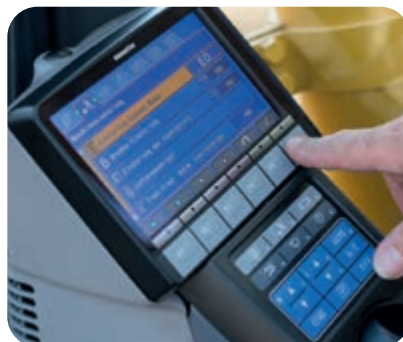
The PC170LC-11 delivers the power required with the lowest fuel usage. 6 working modes are available: Power, Lifting, Breaker, Economy, Attachment Power and Attachment Economy. The operator can ideally balance the Economy mode between power and economy to match the work at hand. The oil flow delivered to hydraulic attachments is also adjustable directly on the class-leading widescreen monitor panel.



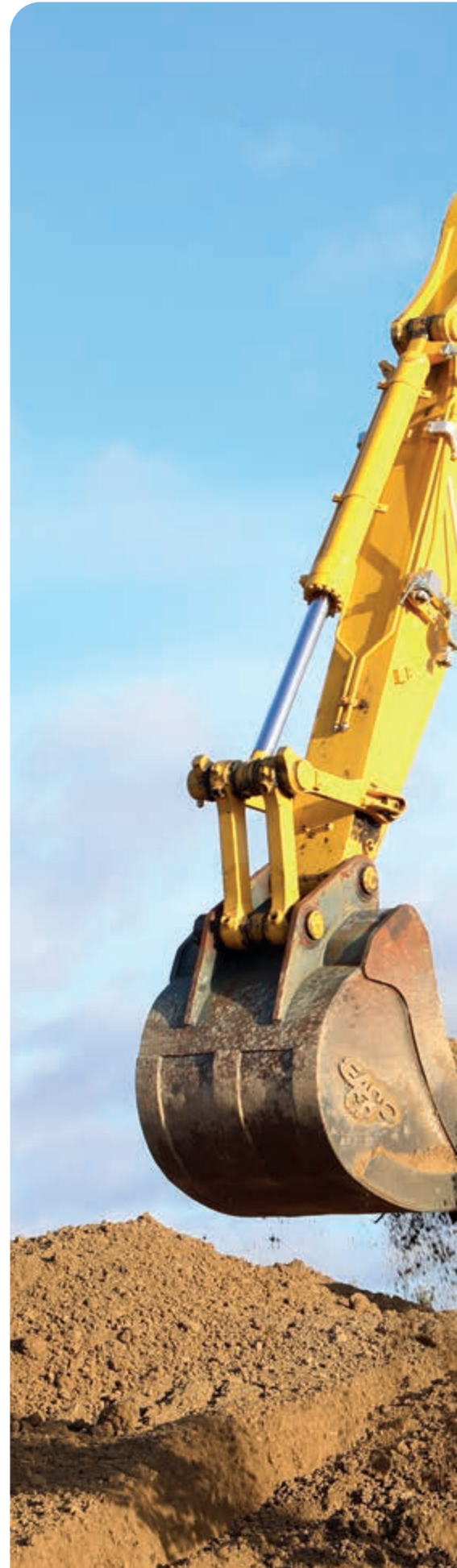
Two optional hydraulic lines to mount a variety of attachments



Komatsu Integrated Attachment Control (KIAC) for up to 15 tool presets for oil flow and pressure



Versatility at your fingertips: select the perfect setting for each job



Total versatility

Built-in versatility

Powerful and precise, the Komatsu PC170LC-11 is equipped to efficiently carry out any task your business requires. On all jobsites, big or small, for digging, trenching, landscaping or site preparation, the Komatsu hydraulic system always provides maximum productivity and control.





Higher productivity

The PC170LC-11 is quick and precise. It features a powerful Komatsu EU Stage V engine, Komatsu's Closed Center Load Sensing (CLSS) hydraulic system and first-class Komatsu comfort to provide a fast response and unrivalled productivity for its class.

Komatsu fuel-saving technology

Fuel consumption on the PC170LC-11 is lower by up to 3%. Engine management is enhanced. The variable speed matching of the engine and hydraulic pumps guarantee efficiency and precision during single and combined movements.

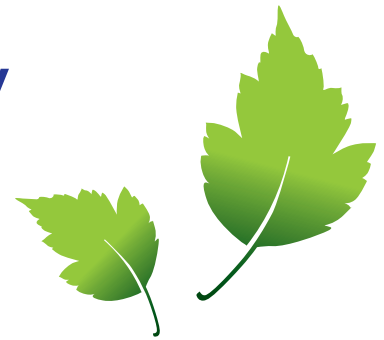
Adjustable idle shutdown

The Komatsu auto idle shutdown automatically turns off the engine after it idles for a set period of time. This feature can easily be programmed from 5 to 60 minutes, to reduce unnecessary fuel consumption and exhaust emissions, and to lower operating costs. An Eco-gauge and the Eco guidance tips on the cab monitor further encourage efficient operations.

Powerful and environmentally friendly

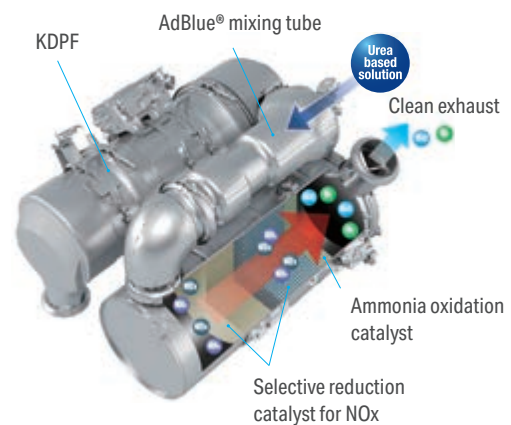
Komatsu EU Stage V

The Komatsu EU Stage V engine is productive, dependable and efficient. With ultra-low emissions, it provides a lower environmental impact and a superior performance to help reduce operating costs and lets the operator work in complete peace of mind.



Heavy-duty aftertreatment

The aftertreatment system combines a Komatsu Diesel Particulate Filter (KDPF) and Selective Catalytic Reduction (SCR). The SCR injects the correct amount of AdBlue® into the system at the proper rate to break down NOx into water (H₂O) and non-toxic nitrogen gas (N₂). NOx emissions are reduced by 80% vs. EU Stage IIIB engines.



High-Pressure Common Rail (HPCR)

To achieve complete fuel burn and lower exhaust emissions, the heavy-duty High-Pressure Common Rail fuel injection system is computer controlled to deliver a precise quantity of pressurised fuel into the redesigned engine combustion chamber by multiple injections.



First-class comfort

Enhanced work environment

Designed to prioritise both productivity and operator well-being, the Komatsu crawler excavator cab features thoughtful ergonomics with high-visibility handrails, and improved interior LED lighting. Stepping inside reveals a sleek, dark colour scheme complemented by an effortlessly cleanable floor mat. Upgraded UV-protective tint on the cab rear window minimises sun exposure and helps maintain a cool working environment.

Future-proof customisable workspace

The operator cab offers extensive customisation possibilities. A multi-functional utility bar allows for adding personal accessories such as additional monitors or tablets, while dual USB ports (USB-A & USB-C) enable mobile device charging.



Convenient and secure entry to the spacious, well-insulated, low-noise cab



Multi-functional utility bar (items shown are for illustrative purposes only)



Optional premium seat with top quality cushioning, auto weight adjustment, lumbar support, climate control system, available with optional multi-position armrests and ergonomic control levers



Safety first

Optimal jobsite safety

Safety features on the Komatsu PC170LC-11 comply with the latest industry standards and work in synergy to minimise risks to people in and around the machine. A neutral detection system for travel and work equipment levers increase jobsite safety, along with a seat belt caution indicator and an audible travel alarm. Highly durable anti-slip plates – with additional high friction covering – maintain long term traction performance.



Safe maintenance

Thermal guards around high temperature areas of the engine, protected fan belt and pulleys, a pump/engine partition that prevents hydraulic oil from spraying onto the engine, a wide catwalk and exceptionally sturdy handrails: in Komatsu tradition, the highest safety level is provided for a fast and smooth maintenance.



Komatsu SpaceCab™

The ROPS cab has a tubular steel frame and provides high shock absorbency, impact resistance and durability. The seat belt is well designed to keep the operator in the safety zone of the cab in the event of a rollover. Optionally the cab can be fitted with a Falling Object Protective System (FOPS) with openable front guard.



KomVision

KomVision machine visibility gives the operator a constant clear view of the safety zone around the machine. This allows the operator to focus on the work at hand even in low light conditions. With KomVision, various camera view options are available whilst maintaining constant "bird's-eye view" from above the machine



An evolutionary interface

Helpful information is now easier than ever to find and understand with the upgraded monitor interface. An optimal main screen for the ongoing work can be selected simply by pressing the F3 key.

Lower operating costs

Komatsu ICT contributes to the reduction of operating costs by assisting to comfortably and efficiently manage operations. It raises the level of customer satisfaction and the competitive edge of our products.

Widescreen monitor

Installed with a choice of 26 languages, the widescreen monitor with simple switches and multifunction keys gives fingertip access to a large range of functions and operating info.



Quick view on the operation logs



Fuel consumption history



ECO guidance record

Information & communication technology



Knowledge

You get quick answers to basic and critical questions about your machines – what they're doing, when they did it, where they're located, how they can be used more efficiently and when they need to be serviced. Performance data is relayed by wireless communication technology (satellite, GPRS or 4G depending on model) from the machine to a computer and to the local Komatsu distributor – who's readily available for expert analysis and feedback.

Convenience

Komtrax enables convenient fleet management on the web, wherever you are. Data is analysed and packaged specifically for effortless and intuitive viewing in maps, lists, graphs and charts. You can foresee eventual maintenance issues and required spare parts, and troubleshoot a problem before Komatsu technicians arrive on site.



The way to higher productivity

Komtrax uses the latest wireless monitoring technology. Compatible on PC, smartphone or tablet, it delivers insightful and cost saving information about your fleet and equipment, and offers a wealth of information to facilitate peak machine performance. By creating a tightly integrated web of support it allows proactive and preventive maintenance and helps to efficiently run a business.

Power

The detailed information that Komtrax puts at your fingertips 24 hours a day, 7 days a week gives the power to make better daily and long-term strategic decisions – at no extra cost. Problems can be anticipated, maintenance schedules customised, downtime minimised and machines kept where they belong: working on the jobsite.



Easy maintenance

Central service points

Komatsu designed the PC170LC-11 with centralised and conveniently located service points to make necessary inspections and maintenance quick and easy.

Komatsu Care

Komatsu Care is a maintenance program that comes as standard with your new Komatsu machine. It covers factory-scheduled maintenance, performed with Komatsu Genuine parts by Komatsu-trained technicians. Depending on your machine's engine, it also offers extended coverage of the Komatsu Diesel Particulate Filter (KDPF), and of the Selective Catalytic Reduction (SCR). Please contact your local Komatsu distributor for terms and conditions.

Safe maintenance

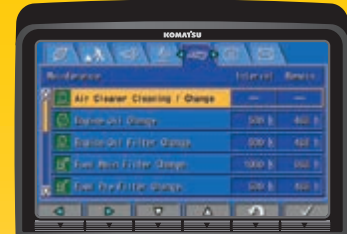
Thermal guards around high temperature areas of the engine, protected fan belt and pulleys, a pump/engine partition that prevents hydraulic oil from spraying onto the engine, and exceptionally sturdy handrails: in Komatsu tradition, the highest safety level is provided for fast and smooth maintenance.

Long-life oil filters

The Komatsu Genuine hydraulic oil filter uses high-performance filtering material for long replacement intervals, which significantly reduces maintenance costs.

Flexible warranty

When you purchase Komatsu equipment, you gain access to a broad range of programmes and services that have been designed to help you get the most from your investment. For example, Komatsu's Flexible Warranty Programme provides a range of extended warranty options on the machine and its components. These can be chosen to meet your individual needs and activities. This programme is designed to help reduce total operating costs.



Basic maintenance screen



Aftertreatment device regeneration screen for the KDPF



For simple access, the AdBlue® tank is installed on the front stairway



Quality you can rely on

Komatsu-quality

With the latest computer techniques and a thorough test programme, Komatsu produces equipment to meet your highest standards. All major components of the PC170LC-11 are designed and directly manufactured by Komatsu, and essential machine functions are perfectly matched for a highly reliable and productive excavator.

Rugged design

Maximum toughness and durability are the cornerstones of Komatsu's philosophy – along with safety and top class customer service. Single piece plates and castings are used in key areas of the machine's structure for good load distribution. Highly durable rubbing strips on the underside of the arm protect the structure against impact damage.

Extensive support network

The extensive Komatsu distribution and dealer network is standing by to help keep your fleet in optimum condition. Customised servicing packages are available, with express availability of spare parts, to make sure that your Komatsu equipment continues to perform at its peak.



Specifications

Engine

Model	Komatsu SAA4D107E-5
Type	Common rail direct injection, water-cooled, emissionised, turbocharged, after-cooled diesel
Engine power	
at rated engine speed	2100 rpm
ISO 14396	90 kW / 121 HP
ISO 9249 (net engine power)	90 kW / 121 HP
No. of cylinders	4
Bore × stroke	107 × 124 mm
Displacement	4.46 l
Air filter type	Double element type with monitor panel dust indicator and auto dust evacuator
Cooling	Suction type cooling fan with radiator fly screen
Fuel	Diesel fuel, conforming to EN590 Class 2/Grade D. Paraffinic fuel capability (HVO, GTL, BTL), conforming to EN 15940:2016

Hydraulic system

Type	HydrauMind. Closed-centre system with load sensing and pressure compensation valves
Additional circuits	2 additional circuits with proportional control can be installed
Main pump	1 variable displacement piston pump supplying boom, arm, bucket, swing and travel circuits
Maximum pump flow	298 l/min
Relief valve settings	
Implement	380 kg/cm ²
Travel	380 kg/cm ²
Swing	295 kg/cm ²
Pilot circuit	33 kg/cm ²

Service refill capacities

Fuel tank	300 l
Radiator	22 l
Engine oil	18 l
Swing drive	4.5 l
Hydraulic tank	121 l
Final drive (each side)	5.4 l
AdBlue® tank	39 l

PC170LC-11E0

Swing system

Type	Axial piston motor driving through planetary double reduction gearbox
Swing lock	Electrically actuated wet multidisc brake integrated into swing motor
Swing speed	0 - 12 rpm
Swing torque	42.5 kNm

Drives and brakes

Steering control	2 levers with pedals giving full independent control of each track
Drive method	Hydrostatic
Travel operation	Automatic 2-speed selection
Gradeability	70%, 35°
Max. travel speeds	
Lo / Hi	3.0 / 5.5 km/h
Maximum drawbar pull	15400 kg
Brake system	Hydraulically operated discs in each travel motor

Undercarriage

Construction	X-frame centre section with box section track frames
Track assembly	
Type	Fully sealed
Shoes (each side)	44 (LGP: 51)
Tension	Combined spring and hydraulic unit
Rollers	
Track rollers (each side)	7 (LGP: 10)
Carrier rollers (each side)	2

Environment

Engine emissions	Fully complies with EU Stage V exhaust emission regulations
Noise levels	
LwA external	99 dB(A) (2000/14/EC Stage II)
LpA operator ear	68 dB(A) (ISO 6396 dynamic test)
Vibration levels (EN 12096:1997)	
Hand/arm	≤ 2.5 m/s ² (uncertainty K = 0.38 m/s ²)
Body	≤ 0.5 m/s ² (uncertainty K = 0.16 m/s ²)
Contains fluorinated greenhouse gas HFC-134a (GWP 1430). Quantity of gas 0.9 kg; CO ₂ equivalent 1.29 t	

Operating weight (appr.)

Triple grouser shoes	Mono boom		Two-piece boom	
	Operating weight	Ground pressure	Operating weight	Ground pressure
500 mm (with 2490 mm dozer blade)	18300 (19970) kg	0.53 (0.58) kg/cm ²	19030 (20700) kg	0.55 (0.60) kg/cm ²
600 mm	18520 kg	0.44 kg/cm ²	19250 kg	0.46 kg/cm ²
700 mm	18785 kg	0.39 kg/cm ²	19515 kg	0.40 kg/cm ²
800 mm (with 2795 mm dozer blade)	19005 (20725) kg	0.34 (0.37) kg/cm ²	19735 (21455) kg	0.36 (0.39) kg/cm ²

Operating weight, including specified work equipment, 2.6 m arm, standard counterweight, 495 kg bucket, operator, lubricant, coolant, full fuel tank and the standard equipment.

Max. bucket capacity and weight

Arm length	Mono boom					
	2.25 m		2.6 m		2.9 m	
Material weight up to 1.2 t/m ³	0.94 m ³	615 kg	0.94 m ³	615 kg	0.75 m ³	530 kg
Material weight up to 1.5 t/m ³	0.75 m ³	530 kg	0.75 m ³	530 kg	0.75 m ³	530 kg
Material weight up to 1.8 t/m ³	0.66 m ³	495 kg	0.66 m ³	495 kg	0.66 m ³	495 kg

Max. bucket capacity and weight

Arm length	Two-piece boom					
	2.25 m		2.6 m		2.9 m	
Material weight up to 1.2 t/m ³	0.94 m ³	615 kg	0.94 m ³	615 kg	0.75 m ³	530 kg
Material weight up to 1.5 t/m ³	0.75 m ³	530 kg	0.75 m ³	530 kg	0.75 m ³	530 kg
Material weight up to 1.8 t/m ³	0.66 m ³	495 kg	0.66 m ³	495 kg	0.66 m ³	495 kg

Max. capacity and weight have been calculated according to ISO 10567:2007.

Please consult with your distributor for the correct selection of buckets and attachments to suit the application.

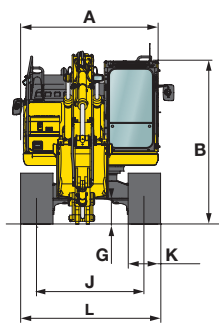
Bucket and arm force

Arm length	2.25 m	2.6 m	2.9 m
Bucket digging force	11500 kg	11500 kg	11500 kg
Bucket digging force at PowerMax	12500 kg	12500 kg	12500 kg
Arm crowd force	9050 kg	8200 kg	7550 kg
Arm crowd force at PowerMax	9700 kg	8800 kg	8100 kg

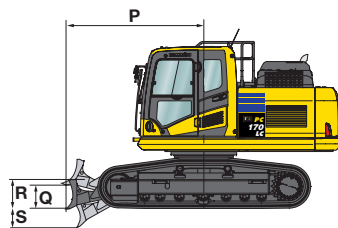
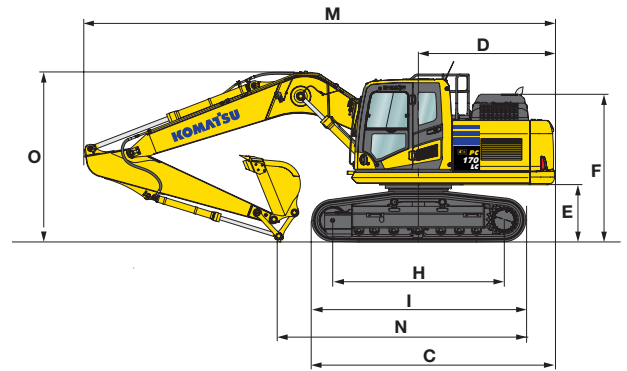
Dimensions and performance figures

Machine dimensions

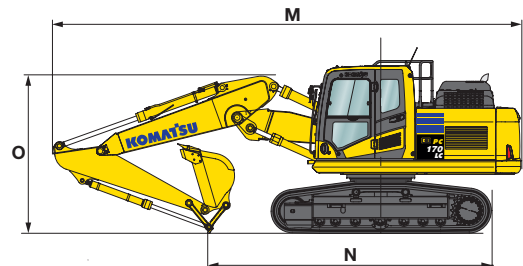
A	Overall width of upper structure	2490 mm
B	Overall height (top of cab)	3035 mm
C	Overall length of basic machine	4495 mm
D	Tail length	2515 mm
	Tail swing radius	2545 mm
E	Clearance under counterweight	1055 mm
F	Machine tail height	2710 mm
G	Ground clearance	440 mm
H	Tumbler centre distance	3170 mm
I	Track length	3965 mm
J	Track gauge	1990 mm
K	Track shoe width	500, 600, 700, 800 mm
L	Overall track width with 500 mm shoes	2490 mm
	Overall track width with 600 mm shoes	2590 mm
	Overall track width with 700 mm shoes	2690 mm
	Overall track width with 800 mm shoes	2790 mm
P	Distance, swing center to blade	2735 mm
Q	Height of blade	585 mm
R	Blade, max. lifting height	510 mm
S	Blade, max. digging depth	635 mm
	Blade width	2490, 2795 mm



Mono boom



Two-piece boom



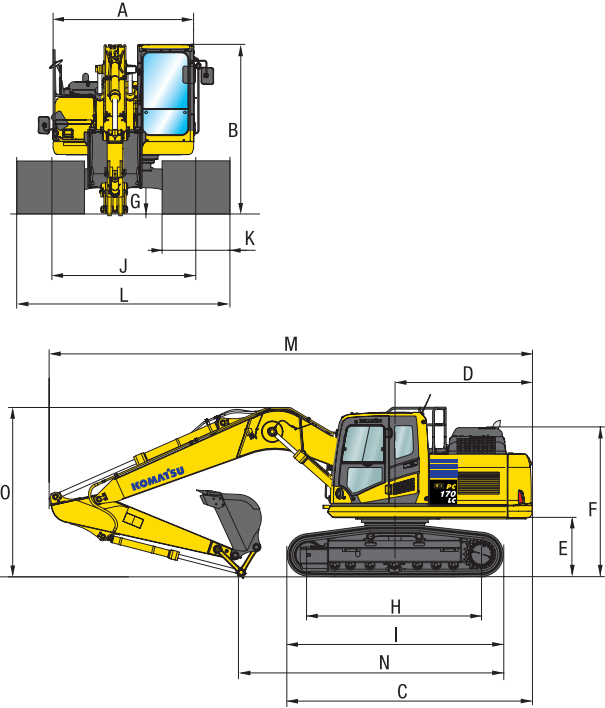
Transport dimensions

	Mono boom			Two-piece boom		
Arm length	2.25 m	2.6 m	2.9 m	2.25 m	2.6 m	2.9 m
M Transport length	8690 mm	8690 mm	8690 mm	8620 mm	8620 mm	8610 mm
N Length on ground (transport)	5130 mm	4760 mm	4565 mm	5180 mm	4825 mm	4660 mm
O Overall height (to top of boom)	3030 mm	3040 mm	3140 mm	3090 mm	3110 mm	3170 mm

Low Ground Pressure specification

Machine dimensions

A	Overall width of upper structure	2590 mm
B	Overall height (top of cab)	3085 mm
C	Overall length of basic machine	4835 mm
D	Tail length	2515 mm
	Tail swing radius	2545 mm
E	Clearance under counterweight	1100 mm
F	Machine tail height	2710 mm
G	Ground clearance	440 mm
H	Tumbler centre distance	3845 mm
I	Track length	4640 mm
J	Track gauge	2580 mm
K	Track shoe width	1400 mm
L	Overall track width with 1400 mm shoes	3980 mm



Transport dimensions

	Mono boom			Two-piece boom		
	2.25 m	2.6 m	2.9 m	2.25 m	2.6 m	2.9 m
M Transport length	8690 mm	8690 mm	8690 mm	8620 mm	8620 mm	8610 mm
N Length on ground (transport)	5470 mm	5100 mm	4900 mm	5520 mm	5160 mm	5000 mm
O Overall height (to top of boom)	3020 mm	3030 mm	3130 mm	3090 mm	3110 mm	3170 mm

Operating weight (appr.)

	Mono boom		Two-piece boom	
	Operating weight	Ground pressure	Operating weight	Ground pressure
Triple grouser shoes				
1400 mm	23100 kg	0.20 kg/cm ²	23830 kg	0.21 kg/cm ²

Operating weight, including mono boom, 2.6 m arm, 495 kg bucket, operator, lubricant, coolant, full fuel tank and the standard equipment.

Max. bucket capacity and weight (Mono boom & Two-piece boom)

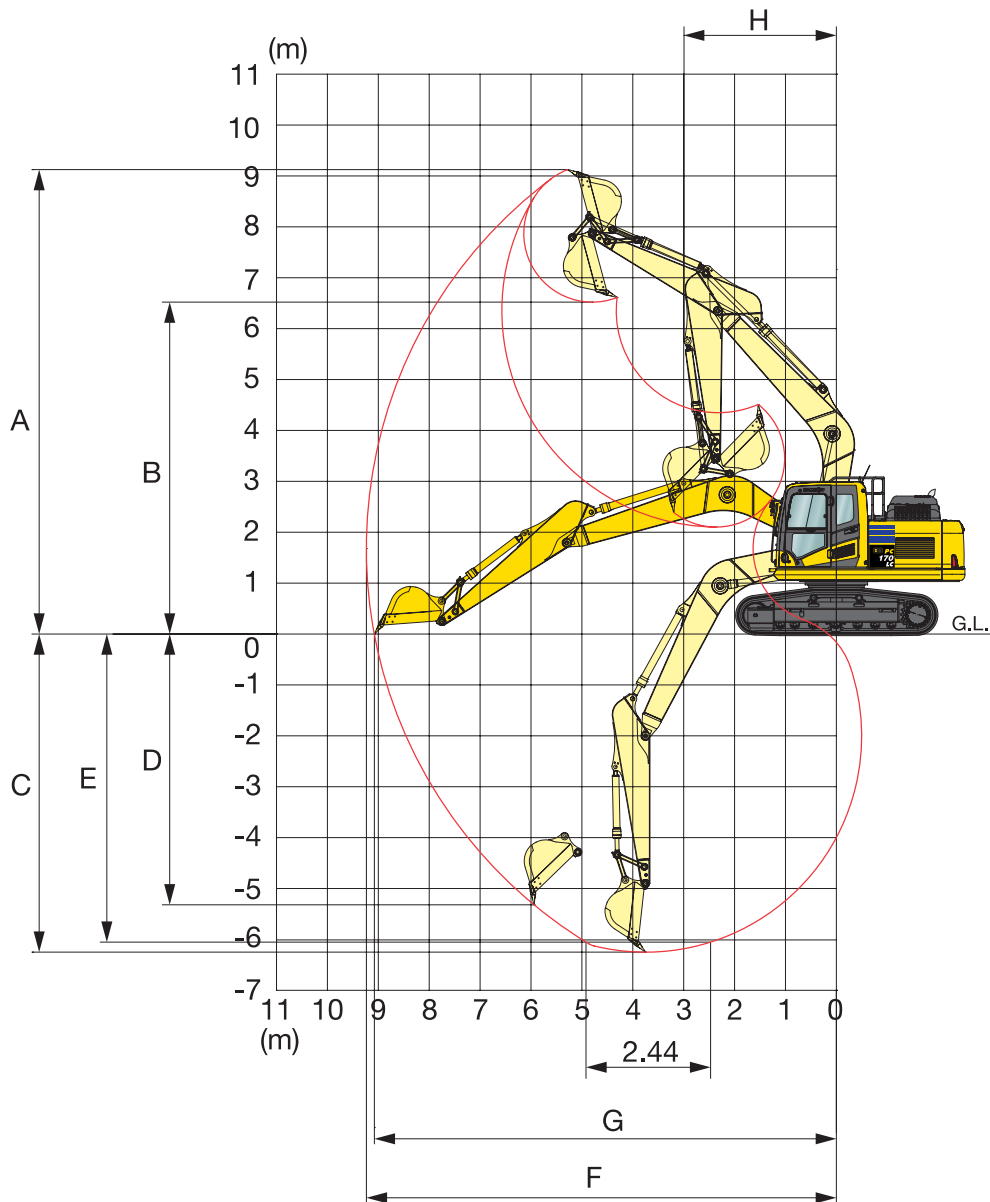
Arm length	2.25 m		2.6 m		2.9 m	
Material weight up to 1.2 t/m ³	0.94 m ³	615 kg	0.94 m ³	615 kg	0.94 m ³	615 kg
Material weight up to 1.5 t/m ³	0.75 m ³	530 kg	0.75 m ³	530 kg	0.75 m ³	530 kg
Material weight up to 1.8 t/m ³	0.60 m ³	495 kg	0.60 m ³	495 kg	0.60 m ³	495 kg

Max. capacity and weight have been calculated according to ISO 10567:2007.

Please consult with your distributor for the correct selection of buckets and attachments to suit the application.

Working range

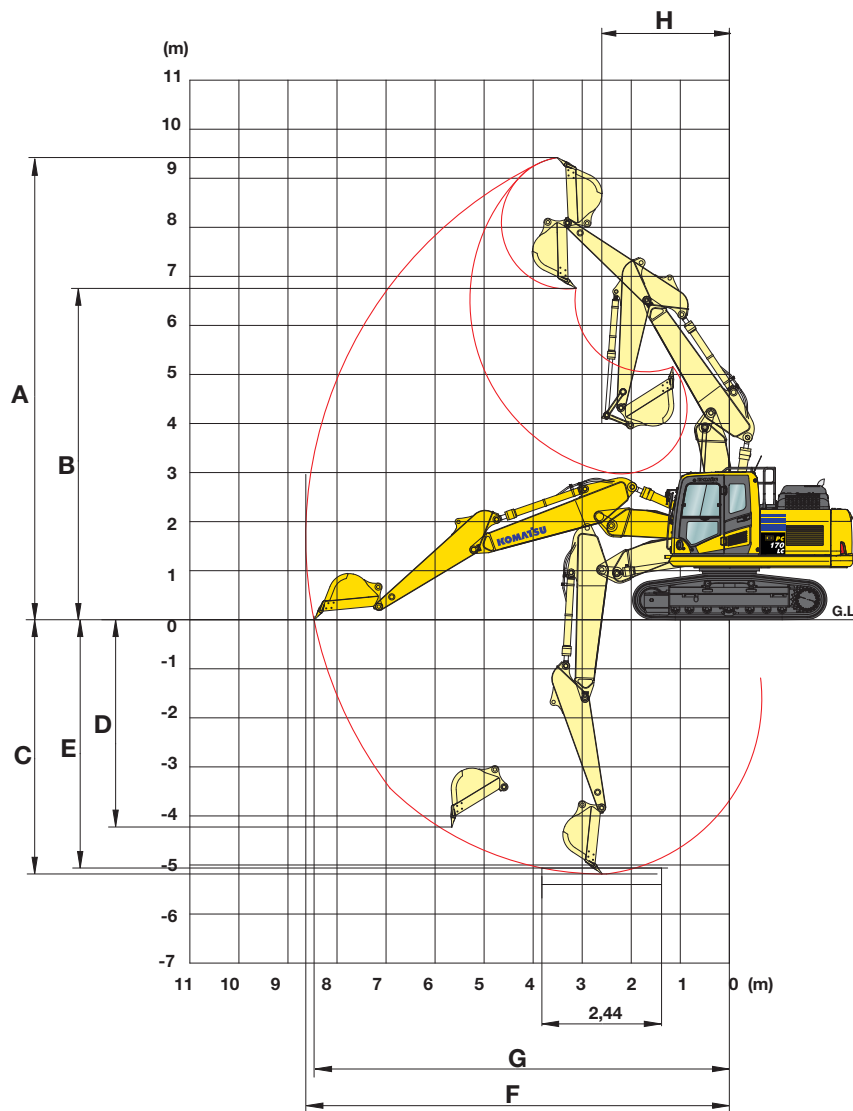
Mono boom



Working range

Arm length	2.25 m	2.6 m	2.9 m
A Max. digging height	8910 mm	8980 mm	9130 mm
B Max. dumping height	6280 mm	6370 mm	6525 mm
C Max. digging depth	5610 mm	5960 mm	6250 mm
D Max. vertical wall digging depth	4860 mm	5040 mm	5320 mm
E Max. digging depth of cut for 2.44 m level	5375 mm	5740 mm	6050 mm
F Max. digging reach	8680 mm	8960 mm	9235 mm
G Max. digging reach at ground level	8510 mm	8800 mm	9075 mm
H Min. swing radius	3040 mm	2990 mm	2995 mm

Two-piece boom



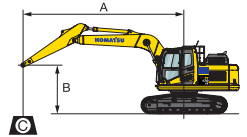
Working range

Arm length	2.25 m	2.6 m	2.9 m
A Max. digging height	9425 mm	9580 mm	9750 mm
B Max. dumping height	6755 mm	6910 mm	7120 mm
C Max. digging depth	5185 mm	5515 mm	5800 mm
D Max. vertical wall digging depth	4230 mm	4530 mm	4145 mm
E Max. digging depth of cut for 2.44 m level	5065 mm	5400 mm	5690 mm
F Max. digging reach	8640 mm	8930 mm	9195 mm
G Max. digging reach at ground level	8470 mm	8770 mm	9035 mm
H Min. swing radius	2600 mm	2600 mm	2605 mm

Lifting capacity

Mono boom

Arm length	A	7.5 m		6.0 m		4.5 m		3.0 m		1.5 m	



- A – Reach from swing center
- B – Bucket hook height
- C – Lifting capacities, including bucket linkage and bucket cylinder: 237 kg

Standard counterweight 500 mm shoes W/o blade			2250 mm											
			7.5 m	6.0 m	4.5 m	3.0 m	1.5 m	7.5 m	6.0 m	4.5 m	3.0 m	1.5 m		
	7.5 m	kg	*4150	*4150										
	6.0 m	kg	*3550	*3550										
	4.5 m	kg	*3400	2900	*5200	3500	*5850	5400						
	3.0 m	kg	*3450	2550	5200	3350	*7100	5050						
	1.5 m	kg	*3700	2450	5000	3200	7750	4750						
	0.0 m	kg	3850	2500	4900	3100	7500	4550						
	-1.5 m	kg	4300	2750	4900	3100	7450	4500	*11400	8250				
	-3.0 m	kg	*5450	3450			*7250	4600	*10050	8450				
	-4.5 m	kg												
	7.5 m	kg	*3400	*3400										
	6.0 m	kg	*3000	*3000	*3950	3600								
	4.5 m	kg	*2900	2750	*4950	3550	*5500	*5500						
	3.0 m	kg	*3000	2450	*3000	2450	5250	3400	*6750	5150	*10250	9400		
	1.5 m	kg	*3200	2350	3650	2400	5050	3250	7800	4800				
	0.0 m	kg	*3600	2350			4950	3150	7550	4600	*6950	*6950		
	-1.5 m	kg	4000	2600			4900	3100	7500	4550	*11100	8250	*6500	*6500
	-3.0 m	kg	4950	3150					7550	4550	*10800	8350	*10950	*10950
	-4.5 m	kg	*5050	5050							*7300	*7300		
	7.5 m	kg	*2900	*2900										
	6.0 m	kg	*2600	*2600	*4100	3650								
	4.5 m	kg	*2550	*2550	*4650	3600								
	3.0 m	kg	*2600	2300	3700	2450	*5200	3450	*6350	5200	*9250	*9250		
	1.5 m	kg	*2750	2200	3650	2350	5050	3250	*7700	4800	*7400	*7400		
	0.0 m	kg	*3050	2200	3550	2300	4900	3100	7550	4550	*7400	*7400		
	-1.5 m	kg	*3700	2400			4850	3050	7400	4450	*10500	8100	*6050	*6050
	-3.0 m	kg	4450	2850			4850	3050	7450	4500	*11350	8200	*9750	*9750
	-4.5 m	kg	*5050	4200					*6750	4650	*8350	*8350		

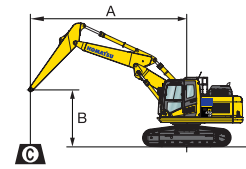
- Rating over front
- Rating over side
- Rating at maximum reach

Heavy counterweight 500 mm shoes W/o blade			2250 mm											
			7.5 m	6.0 m	4.5 m	3.0 m	1.5 m	7.5 m	6.0 m	4.5 m	3.0 m	1.5 m		
	7.5 m	kg	*4150	*4150										
	6.0 m	kg	*3550	*3550										
	4.5 m	kg	*3400	3100	*5200	3750	*5850	5750						
	3.0 m	kg	*3450	2750	5500	3600	*7100	5450						
	1.5 m	kg	*3700	2650	5350	3450	8200	5100						
	0.0 m	kg	4100	2700	5250	3350	8000	4900						
	-1.5 m	kg	4550	3000	5200	3350	7950	4900	*11400	8900				
	-3.0 m	kg	*5450	3750			*7250	4950	*10050	9050				
	-4.5 m	kg												
	7.5 m	kg	*3400	*3400										
	6.0 m	kg	*3000	*3000	*3950	3850								
	4.5 m	kg	*2900	*2900	*4950	3800	*5500	*5500						
	3.0 m	kg	*3000	2650	*3000	2650	*5450	3650	*6750	5500	*10250	10000		
	1.5 m	kg	*3200	2500	3900	2600	5400	3500	*8050	5150				
	0.0 m	kg	*3600	2550	5250	3400	8050	4950	*6950	*6950				
	-1.5 m	kg	4300	2800	5200	3350	7950	4900	*11100	8850	*6500	*6500		
	-3.0 m	kg	5300	3400			*7700	4950	*10800	9000	*10950	*10950		
	-4.5 m	kg	*5050	*5050					*7300	*7300				
	7.5 m	kg	*2900	*2900										
	6.0 m	kg	*2600	*2600	*4100	3900								
	4.5 m	kg	*2550	*2550	*4650	3850								
	3.0 m	kg	*2600	2450	*3950	2650	*5200	3650	*6350	5550	*9250	*9250		
	1.5 m	kg	*2750	2350	3900	2550	5400	3500	*7700	5200	*7400	*7400		
	0.0 m	kg	*3050	2400	3800	2500	5200	3350	8000	4900	*7400	*7400		
	-1.5 m	kg	*3700	2600			5150	3300	7900	4800	*10500	8750	*6050	*6050
	-3.0 m	kg	4750	3100			5150	3300	7900	4850	*11350	8850	*9750	*9750
	-4.5 m	kg	*5050	4500					*6750	5000	*8350	*8350		

* Load is limited by hydraulic capacity rather than tipping.
 Ratings are based on SAE Standard No. J1097.
 Rated loads do not exceed 87% of hydraulic lift capacity or 75% of tipping load.
 When lifting with additional equipment installed to the arm, please subtract the weight of all additional equipment from the values stated.

Two-piece boom

Arm length	A	7.5 m		6.0 m		4.5 m		3.0 m		1.5 m	
		Rating over front	Rating over side	Rating over front	Rating over side	Rating over front	Rating over side	Rating over front	Rating over side	Rating over front	Rating over side



- A – Reach from swing center
- B – Bucket hook height
- C – Lifting capacities, including bucket linkage and bucket cylinder: 237 kg

- Rating over front
- Rating over side
- Rating at maximum reach

Standard counterweight 500 mm shoes W/o blade			2250 mm		2600 mm		2900 mm	
			Rating over front	Rating over side	Rating over front	Rating over side	Rating over front	Rating over side
	7.5 m	kg	*4250	*4250				
	6.0 m	kg	*3600	*3600			*6350	5600
	4.5 m	kg	*3450	2850		5350 3450	*7800 5400	*8400 *8400
	3.0 m	kg	*3450	2500		5150 3300	8150 5000	
	1.5 m	kg	*3650	2400		5000 3150	7700 4650	
	0.0 m	kg	3850	2450		4850 3050	7450 4450	
	-1.5 m	kg	4300	2700		4850 3000	7400 4400	*10300 8050
	-3.0 m	kg						
	-4.5 m	kg						
	7.5 m	kg	*3450	*3450			*4300	*4300
	6.0 m	kg	*3050	*3050		*3850 3550	*5500 *5500	
	4.5 m	kg	*2950	2700		5400 3500	*6600 5500	
	3.0 m	kg	*2950	2400		5250 3350	8300 5150	*14850 9350
	1.5 m	kg	*3150	2300 3600 2300		5050 3200	7800 4700	
	0.0 m	kg	*3550	2300		4900 3050	7500 4450	*7050 *7050
	-1.5 m	kg	4050	2550		4850 3000	7400 4400	*11300 8000
	-3.0 m	kg					*6200 4450	
	-4.5 m	kg						
	7.5 m	kg	*2950	*2950			*4400	*4400
	6.0 m	kg	*2650	*2650		*4100 3600		
	4.5 m	kg	*2550	2500		*5150 3550	*5550 *5550	
	3.0 m	kg	*2550	2250 3700 2400		5250 3400	8350 5200	*14000 9600
	1.5 m	kg	*2700	2100 3600 2300		5050 3200	7850 4750	*7900 *7900
	0.0 m	kg	*3000	2150 3550 2250		4850 3000	7500 4450	*7500 *7500
	-1.5 m	kg	*3550	2350		4800 2950	7350 4350	*10700 7900
	-3.0 m	kg	*4000	2800		*4700 3000	*6900 4350	*8750 8050
	-4.5 m	kg						

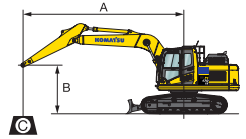
Heavy counterweight 500 mm shoes W/o blade			2250 mm		2600 mm		2900 mm	
			Rating over front	Rating over side	Rating over front	Rating over side	Rating over front	Rating over side
	7.5 m	kg	*4250	*4250				
	6.0 m	kg	*3600	*3600			*6350	5950
	4.5 m	kg	*3450	3050		5650 3700	*7800 5750	*8400 *8400
	3.0 m	kg	*3450	2700		5450 3550	8600 5350	
	1.5 m	kg	*3650	2550		5300 3350	8150 4950	
	0.0 m	kg	*4100	2650		5150 3250	7900 4750	
	-1.5 m	kg	4600	2900		5150 3250	7850 4750	*10300 8650
	-3.0 m	kg						
	-4.5 m	kg						
	7.5 m	kg	*3450	*3450			*4300	*4300
	6.0 m	kg	*3050	*3050		*3850 3800	*5500 *5500	
	4.5 m	kg	*2950	2900		*5700 3750	*6600 5900	
	3.0 m	kg	*2950	2600		5550 3600	8750 5500	*14850 10000
	1.5 m	kg	*3150	2450 *3750 2500		5350 3450	8300 5100	
	0.0 m	kg	*3550	2500		5200 3300	8000 4850	*7050 *7050
	-1.5 m	kg	*4250	2750		5150 3250	7900 4750	*11300 8650
	-3.0 m	kg					*6200 4850	
	-4.5 m	kg						
	7.5 m	kg	*2950	*2950			*4400	*4400
	6.0 m	kg	*2650	*2650		*4100 3850		
	4.5 m	kg	*2550	*2550		*5150 3800	*5550 *5550	
	3.0 m	kg	*2550	2400 *3850 2550		5600 3650	8850 5550	*14000 10250
	1.5 m	kg	*2700	2300 3850 2500		5350 3450	8300 5100	*7900 *7900
	0.0 m	kg	*3000	2350 3800 2400		5200 3250	7950 4800	*7500 *7500
	-1.5 m	kg	*3550	2550		5100 3200	7850 4700	*10700 8500
	-3.0 m	kg	*4000	3050		*4700 3250	*6900 4750	*8750 8650
	-4.5 m	kg						

* Load is limited by hydraulic capacity rather than tipping.
 Ratings are based on SAE Standard No. J1097.
 Rated loads do not exceed 87% of hydraulic lift capacity or 75% of tipping load.
 When lifting with additional equipment installed to the arm, please subtract the weight of all additional equipment from the values stated.

Lifting capacity

Mono boom

Arm length	A	7.5 m		6.0 m		4.5 m		3.0 m		1.5 m	
		Rating over front	Rating over side	Rating over front	Rating over side	Rating over front	Rating over side	Rating over front	Rating over side	Rating over front	Rating over side



- A – Reach from swing center
- B – Bucket hook height
- C – Lifting capacities, including bucket linkage and bucket cylinder: 237 kg

Standard counterweight 500 mm shoes With blade down			2250 mm		2600 mm		2900 mm	
			Rating over front	Rating over side	Rating over front	Rating over side	Rating over front	Rating over side
	7.5 m	kg	*4150	*4150				
	6.0 m	kg	*3550	*3550				
	4.5 m	kg	*3400	3150		*5200	3800	*5850 5800
	3.0 m	kg	*3450	2800		*5650	3650	*7100 5450
	1.5 m	kg	*3700	2650		*6200	3500	*8300 5150
	0.0 m	kg	*4150	2700		*6500	3400	*8800 4950
	-1.5 m	kg	*5100	3000		*6250	3350	*8500 4900 *11400 8950
	-3.0 m	kg	*5450	3750			*7250	5000 *10050 9100
	-4.5 m	kg						
	7.5 m	kg	*3400	*3400				
	6.0 m	kg	*3000	*3000		*3950	3900	
	4.5 m	kg	*2900	*2900		*4950	3850	*5500 *5500
	3.0 m	kg	*3000	2650	*3000	2650	*5450	3700 *6750 5550 *10250 10100
	1.5 m	kg	*3200	2550	*4050	2600	*6050	3550 *8050 5200
	0.0 m	kg	*3600	2600			*6450	3400 *8750 5000 *6950 *6950
	-1.5 m	kg	*4400	2800			*6400	3350 *8650 4900 *11100 8950 *6500 *6500
	-3.0 m	kg	*5450	3450				*7700 4950 *10800 9050 *10950 *10950
	-4.5 m	kg	*5050	*5050				*7300 *7300
	7.5 m	kg	*2900	*2900				
	6.0 m	kg	*2600	*2600		*4100	3900	
	4.5 m	kg	*2550	*2550		*4650	3850	
	3.0 m	kg	*2600	2500	*3950	2650	*5200	3700 *6350 5600 *9250 *9250
	1.5 m	kg	*2750	2350	*4850	2600	*5850	3500 *7700 5200 *7400 *7400
	0.0 m	kg	*3050	2400	*4700	2500	*6300	3400 *8550 4950 *7400 *7400
	-1.5 m	kg	*3700	2600			*6400	3300 *8650 4850 *10500 8800 *6050 *6050
	-3.0 m	kg	*5000	3100			*5750	3350 *7950 4850 *11350 8900 *9750 *9750
	-4.5 m	kg	*5050	4550				*6750 5050 *8350 *8350

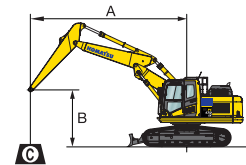
- Rating over front
- Rating over side
- Rating at maximum reach

Heavy counterweight 500 mm shoes With blade down			2250 mm		2600 mm		2900 mm	
			Rating over front	Rating over side	Rating over front	Rating over side	Rating over front	Rating over side
	7.5 m	kg	*4150	*4150				
	6.0 m	kg	*3550	*3550				
	4.5 m	kg	*3400	3350		*5200	4000	*5850 *5850
	3.0 m	kg	*3450	3000		*5650	3900	*7100 5800
	1.5 m	kg	*3700	2850		*6200	3750	*8300 5500
	0.0 m	kg	*4150	2900		*6500	3650	*8800 5300
	-1.5 m	kg	*5100	3200		*6250	3600	*8500 5250 *11400 9600
	-3.0 m	kg	*5450	4050			*7250	5350 *10050 9750
	-4.5 m	kg						
	7.5 m	kg	*3400	*3400				
	6.0 m	kg	*3000	*3000		*3950	*3950	
	4.5 m	kg	*2900	*2900		*4950	4100	*5500 *5500
	3.0 m	kg	*3000	2850	*3000	2850	*5450	3950 *6750 5900 *10250 *10250
	1.5 m	kg	*3200	2750	*4050	2800	*6050	3800 *8050 5550
	0.0 m	kg	*3600	2800			*6450	3650 *8750 5350 *6950 *6950
	-1.5 m	kg	*4400	3050			*6400	3600 *8650 5300 *11100 9550 *6500 *6500
	-3.0 m	kg	*5450	3700				*7700 5300 *10800 9700 *10950 *10950
	-4.5 m	kg	*5050	*5050				*7300 *7300
	7.5 m	kg	*2900	*2900				
	6.0 m	kg	*2600	*2600		*4100	*4100	
	4.5 m	kg	*2550	*2550		*4650	4100	
	3.0 m	kg	*2600	2600	*3950	2850	*5200	3950 *6350 5950 *9250 *9250
	1.5 m	kg	*2750	2550	*4850	2750	*5850	3750 *7700 5550 *7400 *7400
	0.0 m	kg	*3050	2600	*4700	2700	*6300	3650 *8550 5300 *7400 *7400
	-1.5 m	kg	*3700	2800			*6400	3550 *8650 5200 *10500 9450 *6050 *6050
	-3.0 m	kg	*5000	3350			*5750	3600 *7950 5250 *11350 9550 *9750 *9750
	-4.5 m	kg	*5050	4850				*6750 5400 *8350 *8350

* Load is limited by hydraulic capacity rather than tipping.
 Ratings are based on SAE Standard No. J1097.
 Rated loads do not exceed 87% of hydraulic lift capacity or 75% of tipping load.
 When lifting with additional equipment installed to the arm, please subtract the weight of all additional equipment from the values stated.

Two-piece boom

Arm length	A	7.5 m		6.0 m		4.5 m		3.0 m		1.5 m	



- A – Reach from swing center
- B – Bucket hook height
- C – Lifting capacities, including bucket linkage and bucket cylinder: 237 kg

- Rating over front
- Rating over side
- Rating at maximum reach

Standard counterweight 500 mm shoes With blade down			2250 mm		2600 mm		2900 mm	
			kg	kg	kg	kg	kg	kg
	7.5 m	kg	*4250	*4250				
	6.0 m	kg	*3600	*3600			*6350	6000
	4.5 m	kg	*3450	3100			*6300	3700
	3.0 m	kg	*3450	2750			*7750	3600
	1.5 m	kg	*3650	2600			*7900	3400
	0.0 m	kg	*4100	2650			*7500	3300
	-1.5 m	kg	*4950	2950			*6100	3300
	-3.0 m	kg					*8450	4800
	-4.5 m	kg					*10300	8750
	7.5 m	kg	*3450	*3450				
	6.0 m	kg	*3050	*3050			*3850	3850
	4.5 m	kg	*2950	*2950			*5700	3800
	3.0 m	kg	*2950	2600			*7600	3650
	1.5 m	kg	*3150	2500			*7900	3450
	0.0 m	kg	*3550	2550			*7650	3350
	-1.5 m	kg	*4250	2800			*9000	4800
	-3.0 m	kg					*6200	4850
	-4.5 m	kg						
	7.5 m	kg	*2950	*2950				
	6.0 m	kg	*2650	*2650			*4100	3900
	4.5 m	kg	*2550	*2550			*5150	3800
	3.0 m	kg	*2550	2450			*6700	3650
	1.5 m	kg	*2700	2300			*7800	3450
	0.0 m	kg	*3000	2350			*7700	3300
	-1.5 m	kg	*3550	2550			*6850	3200
	-3.0 m	kg	*4000	3050			*4700	3250
	-4.5 m	kg					*6900	4750

Heavy counterweight 500 mm shoes With blade down			2250 mm		2600 mm		2900 mm	
			kg	kg	kg	kg	kg	kg
	7.5 m	kg	*4250	*4250				
	6.0 m	kg	*3600	*3600			*6350	*6350
	4.5 m	kg	*3450	3300			*6300	3950
	3.0 m	kg	*3450	2950			*7750	3850
	1.5 m	kg	*3650	2800			*7900	3650
	0.0 m	kg	*4100	2850			*7500	3550
	-1.5 m	kg	*4950	3200			*6100	3550
	-3.0 m	kg					*8450	5150
	-4.5 m	kg					*10300	9400
	7.5 m	kg	*3450	*3450				
	6.0 m	kg	*3050	*3050			*3850	*3850
	4.5 m	kg	*2950	*2950			*5700	4050
	3.0 m	kg	*2950	2800			*7600	3900
	1.5 m	kg	*3150	2700			*7900	3700
	0.0 m	kg	*3550	2750			*7650	3600
	-1.5 m	kg	*4250	3000			*9000	5150
	-3.0 m	kg					*6200	5200
	-4.5 m	kg						
	7.5 m	kg	*2950	*2950				
	6.0 m	kg	*2650	*2650			*4100	*4100
	4.5 m	kg	*2550	*2550			*5150	4050
	3.0 m	kg	*2550	*2550			*6700	3900
	1.5 m	kg	*2700	2500			*7800	3700
	0.0 m	kg	*3000	2550			*7700	3550
	-1.5 m	kg	*3550	2750			*6850	3450
	-3.0 m	kg	*4000	3300			*4700	3500
	-4.5 m	kg					*6900	5100

* Load is limited by hydraulic capacity rather than tipping.

Ratings are based on SAE Standard No. J1097.

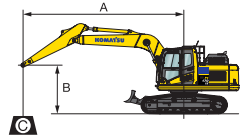
Rated loads do not exceed 87% of hydraulic lift capacity or 75% of tipping load.

When lifting with additional equipment installed to the arm, please subtract the weight of all additional equipment from the values stated.

Lifting capacity

Mono boom

Arm length	A	7.5 m		6.0 m		4.5 m		3.0 m		1.5 m	



- A – Reach from swing center
- B – Bucket hook height
- C – Lifting capacities, including bucket linkage and bucket cylinder: 237 kg

- Rating over front
- Rating over side
- Rating at maximum reach

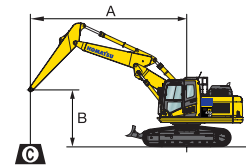
Standard counterweight 500 mm shoes With blade up			2250 mm																
			7.5 m	6.0 m	4.5 m	3.0 m	1.5 m	-1.5 m	-3.0 m	-4.5 m	7.5 m	6.0 m	4.5 m	3.0 m	1.5 m	-1.5 m	-3.0 m	-4.5 m	
	2250 mm	7.5 m	kg	*4150	*4150														
		6.0 m	kg	*3550	*3550														
		4.5 m	kg	*3400	3150	*5200	3800	*5850	5800										
		3.0 m	kg	*3450	2800		5350	3650	*7100	5450									
		1.5 m	kg	*3700	2650		5200	3500	8000	5150									
		0.0 m	kg	4000	2700		5050	3400	7750	4950									
	2600 mm	-1.5 m	kg	4450	3000		5050	3350	7700	4900	*11400	8950							
		-3.0 m	kg	*5450	3750				*7250	5000	*10050	9100							
		-4.5 m	kg																
		7.5 m	kg	*3400	*3400														
		6.0 m	kg	*3000	*3000		*3950	3900											
		4.5 m	kg	*2900	*2900		*4950	3850	*5500	*5500									
	2900 mm	3.0 m	kg	*3000	2650	*3000	2650	5400	3700	*6750	5550	*10250	10100						
		1.5 m	kg	*3200	2550	3800	2600	5250	3550	*8050	5200								
		0.0 m	kg	*3600	2600			5100	3400	7800	5000	*6950	*6950						
		-1.5 m	kg	4150	2800			5050	3350	7750	4900	*11100	8950	*6500	*6500				
		-3.0 m	kg	5150	3450					*7700	4950	*10800	9050	*10950	*10950				
		-4.5 m	kg	*5050	*5050							*7300	*7300						

Heavy counterweight 500 mm shoes With blade up			2250 mm																
			7.5 m	6.0 m	4.5 m	3.0 m	1.5 m	-1.5 m	-3.0 m	-4.5 m	7.5 m	6.0 m	4.5 m	3.0 m	1.5 m	-1.5 m	-3.0 m	-4.5 m	
	2250 mm	7.5 m	kg	*4150	*4150														
		6.0 m	kg	*3550	*3550														
		4.5 m	kg	*3400	3350	*5200	4000	*5850	*5850										
		3.0 m	kg	*3450	3000	*5650	3900	*7100	5800										
		1.5 m	kg	*3700	2850		5500	3750	*8300	5500									
		0.0 m	kg	*4150	2900		5400	3650	8250	5300									
	2600 mm	-1.5 m	kg	4700	3200		5350	3600	8200	5250	*11400	9600							
		-3.0 m	kg	*5450	4050				*7250	5350	*10050	9750							
		-4.5 m	kg																
		7.5 m	kg	*3400	*3400														
		6.0 m	kg	*3000	*3000		*3950	*3950											
		4.5 m	kg	*2900	*2900		*4950	4100	*5500	*5500									
	2900 mm	3.0 m	kg	*3000	2850	*3000	2850	*5450	3950	*6750	5900	*10250	*10250						
		1.5 m	kg	*3200	2750	4000	2800	5550	3800	*8050	5550								
		0.0 m	kg	*3600	2800			5400	3650	8300	5350	*6950	*6950						
		-1.5 m	kg	*4400	3050			5350	3600	8200	5300	*11100	9550	*6500	*6500				
		-3.0 m	kg	*5450	3700					*7700	5300	*10800	9700	*10950	*10950				
		-4.5 m	kg	*5050	*5050							*7300	*7300						

* Load is limited by hydraulic capacity rather than tipping.
 Ratings are based on SAE Standard No. J1097.
 Rated loads do not exceed 87% of hydraulic lift capacity or 75% of tipping load.
 When lifting with additional equipment installed to the arm, please subtract the weight of all additional equipment from the values stated.

Two-piece boom

Arm length	A	7.5 m		6.0 m		4.5 m		3.0 m		1.5 m	
		Rating over front	Rating over side	Rating over front	Rating over side	Rating over front	Rating over side	Rating over front	Rating over side	Rating over front	Rating over side



- A – Reach from swing center
- B – Bucket hook height
- C – Lifting capacities, including bucket linkage and bucket cylinder: 237 kg

- Rating over front
- Rating over side
- Rating at maximum reach

Standard counterweight 500 mm shoes With blade up			2250 mm		2600 mm		2900 mm	
			Rating over front	Rating over side	Rating over front	Rating over side	Rating over front	Rating over side
	7.5 m	kg	*4250	*4250				
	6.0 m	kg	*3600	*3600			*6350	6000
	4.5 m	kg	*3450	3100		5500 3700	*7800 5800	*8400 *8400
	3.0 m	kg	*3450	2750		5350 3600	8400 5400	
	1.5 m	kg	*3650	2600		5150 3400	7950 5050	
	0.0 m	kg	4000	2650		5050 3300	7700 4850	
	-1.5 m	kg	4450	2950		5000 3300	7650 4800	*10300 8750
	-3.0 m	kg						
	-4.5 m	kg						
	7.5 m	kg	*3450	*3450			*4300	*4300
	6.0 m	kg	*3050	*3050		*3850 3850	*5500 *5500	
	4.5 m	kg	*2950	*2950		5600 3800	*6600 5900	
	3.0 m	kg	*2950	2600		5400 3650	8500 5500	*14850 10050
	1.5 m	kg	*3150	2500	*3750 2550	5200 3450	8050 5100	
	0.0 m	kg	*3550	2550		5050 3350	7750 4850	*7050 *7050
	-1.5 m	kg	4150	2800		5000 3300	7650 4800	*11300 8700
	-3.0 m	kg					*6200 4850	
	-4.5 m	kg						
	7.5 m	kg	*2950	*2950			*4400	*4400
	6.0 m	kg	*2650	*2650		*4100 3900		
	4.5 m	kg	*2550	*2550		*5150 3800	*5550 *5550	
	3.0 m	kg	*2550	2450	3800 2600	5400 3650	8600 5600	*14000 10300
	1.5 m	kg	*2700	2300	3750 2500	5200 3450	8100 5150	*7900 *7900
	0.0 m	kg	*3000	2350	3650 2450	5050 3300	7750 4850	*7500 *7500
	-1.5 m	kg	*3550	2550		4950 3200	7600 4700	*10700 8600
	-3.0 m	kg	*4000	3050		*4700 3250	*6900 4750	*8750 8750
	-4.5 m	kg						

Heavy counterweight 500 mm shoes With blade up			2250 mm		2600 mm		2900 mm	
			Rating over front	Rating over side	Rating over front	Rating over side	Rating over front	Rating over side
	7.5 m	kg	*4250	*4250				
	6.0 m	kg	*3600	*3600			*6350	*6350
	4.5 m	kg	*3450	3300		5800 3950	*7800 6150	*8400 *8400
	3.0 m	kg	*3450	2950		5650 3850	8850 5750	
	1.5 m	kg	*3650	2800		5500 3650	8450 5400	
	0.0 m	kg	*4100	2850		5350 3550	8200 5200	
	-1.5 m	kg	4750	3200		5350 3550	8150 5150	*10300 9400
	-3.0 m	kg						
	-4.5 m	kg						
	7.5 m	kg	*3450	*3450			*4300	*4300
	6.0 m	kg	*3050	*3050		*3850 *3850	*5500 *5500	
	4.5 m	kg	*2950	*2950		*5700 4050	*6600 6250	
	3.0 m	kg	*2950	2800		5750 3900	9000 5900	*14850 10700
	1.5 m	kg	*3150	2700	*3750 2700	5550 3700	8550 5450	
	0.0 m	kg	*3550	2750		5400 3600	8250 5200	*7050 *7050
	-1.5 m	kg	*4250	3000		5300 3550	8150 5150	*11300 9350
	-3.0 m	kg					*6200 5200	
	-4.5 m	kg						
	7.5 m	kg	*2950	*2950			*4400	*4400
	6.0 m	kg	*2650	*2650		*4100 *4100		
	4.5 m	kg	*2550	*2550		*5150 4050	*5550 *5550	
	3.0 m	kg	*2550	*2550	*3850 2800	5750 3900	9100 5950	*14000 10950
	1.5 m	kg	*2700	2500	3950 2700	5500 3700	8550 5500	*7900 *7900
	0.0 m	kg	*3000	2550	3900 2650	5350 3550	8200 5200	*7500 *7500
	-1.5 m	kg	*3550	2750		5250 3450	8100 5100	*10700 9200
	-3.0 m	kg	*4000	3300		*4700 3500	*6900 5100	*8750 *8750
	-4.5 m	kg						

* Load is limited by hydraulic capacity rather than tipping.

Ratings are based on SAE Standard No. J1097.

Rated loads do not exceed 87% of hydraulic lift capacity or 75% of tipping load.

When lifting with additional equipment installed to the arm, please subtract the weight of all additional equipment from the values stated.

Standard and optional equipment

Engine

Komatsu SAA4D107E-5 turbocharged common rail direct injection diesel engine	●
EU Stage V compliant	●
Suction type cooling fan with radiator fly screen	●
Automatic engine warm-up system	●
Engine overheat prevention system	●
Fuel control dial	●
Auto-deceleration function	●
Adjustable idle shutdown	●
Engine key stop	●
Engine ignition can be password secured on request	●
Alternator 24 V / 85 A	●
Starter motor 24 V / 4.5 kW	●
Batteries 2 × 12 V / 110 Ah	●

Hydraulic system

Electronic closed-centre load sensing (E-CLSS) hydraulic system (HydraMind)	●
Pump and engine mutual control (PEMC) system	●
6-working mode selection system; Power mode, Economy mode, Breaker mode, Attachment Power and Attachment Economy mode, and Lifting/Fine Operation mode	●
PowerMax function	●
PPC wrist control levers for arm, boom, bucket and swing, with sliding proportional control for attachments and auxiliary buttons	●
Prepared for hydraulic quick-coupler	●
Komatsu Integrated Attachment Control (KIAC)	○
Additional hydraulic functions	○

Undercarriage

Track roller guards	●
Track frame under-guards	●
LC undercarriage	●
500, 600, 700, 800 mm triple grouser shoes	○
600 mm road-liner shoes	○
Low Ground Pressure (LGP) undercarriage with 1400 mm triple grouser shoes	○
2490 mm dozer blade (with 500 mm shoes)	○
2795 mm dozer blade (with 800 mm shoes)	○

Drives and brakes

Hydrostatic, 2-speed travel system with automatic shift and planetary gear type final drives, and hydraulic travel and parking brakes	●
PPC control levers and pedals for steering and travel	●

Cabin

Reinforced safety SpaceCab™; highly pressurised and tightly sealed hyper viscous mounted cab with tinted safety glass windows, large roof window with sun shade, pull-up type front window with locking device, removable lower window, front window wiper with intermittent feature, sun roller blind, cigarette lighter, ashtray, luggage shelf, std. floor mat, additional floor mat	●
Heated, high-back air-suspended seat with lumbar support, console mounted height adjustable arm rests, and retractable seat belt	●
Automatic climate control system	●
12 / 24 Volt power supplies	●
USB-A / USB-C power supplies	●
Utility bar	●
Beverage holder and magazine rack	●
Hot and cool box	●
DAB+ radio with Bluetooth®, USB, AUX and hands-free kit	●
Rain visor (not with OPG)	●
Premium comfort seat	○
Lower wiper	○

Service and maintenance

Automatic fuel line de-aeration	●
Double element type air cleaner with dust indicator and auto dust evacuator	●
Komtrax – Komatsu wireless monitoring system (4G)	●
Komatsu Care – a maintenance program for Komatsu customers	●
Multifunction video compatible colour monitor with Equipment Management and Monitoring System (EMMS) and efficiency guidance	●
Toolkit	●
Service points	●
Automatic greasing system	○

LED lighting system

Working lights: 2 revolving frame, 1 boom (l.h.)	●
Coming home light function	●
Additional working lights (#1): 2 cab roof (front), 1 cab roof (rear), 1 boom (r.h.), 1 counterweight, beacon	○
Additional working lights (#2): 4 cab roof (front), 1 cab roof (rear), 1 boom (r.h.), 1 counterweight, 2 boom cylinders, 2 revolving frame (l.h. + r.h.), beacon	○

Safety equipment

KomVision surround view system	●
Electric horn	●
Overload warning device	●
Audible travel alarm	●
Boom safety valves	●
Large handrails	●
Rear-view mirrors (for cab adjustable without tools)	●
Battery main switch	●
ROPS compliant to ISO 12117-2:2008	●
Emergency engine stop switch	●
Seat belt caution indicator	●
Neutral position detection system	●
Arm safety valve	●
OPG Level II front guard (FOPS), hinged type	○
OPG Level II front guard (FOPS)	○

Work equipment

Mono boom	○
Two-piece boom	○
2.25 m; 2.6 m; 2.9 m arms	○
Bucket linkage with lifting eye	○
Komatsu buckets	○
Komatsu breakers	○

Other equipment

Standard counterweight (2750 kg)	●
Remote greasing for swing circle and pins	●
Electric refuelling pump with automatic shut-off function	●
Heavy counterweight (3250 kg)	○
Biodegradable oil for hydraulic system	○
Customised paint	○

Further equipment on request

- standard equipment
- optional equipment



A wide range of buckets and attachments is available. Your Komatsu distributor is ready to assist you with the selection of suitable options.

This specification sheet may contain attachments and optional equipment that are not available in your area. Please consult your local Komatsu distributor for those items you may require. Materials and specifications are subject to change without notice.

Your Komatsu partner:

KOMATSU

[komatsu.eu](https://www.komatsu.eu)

